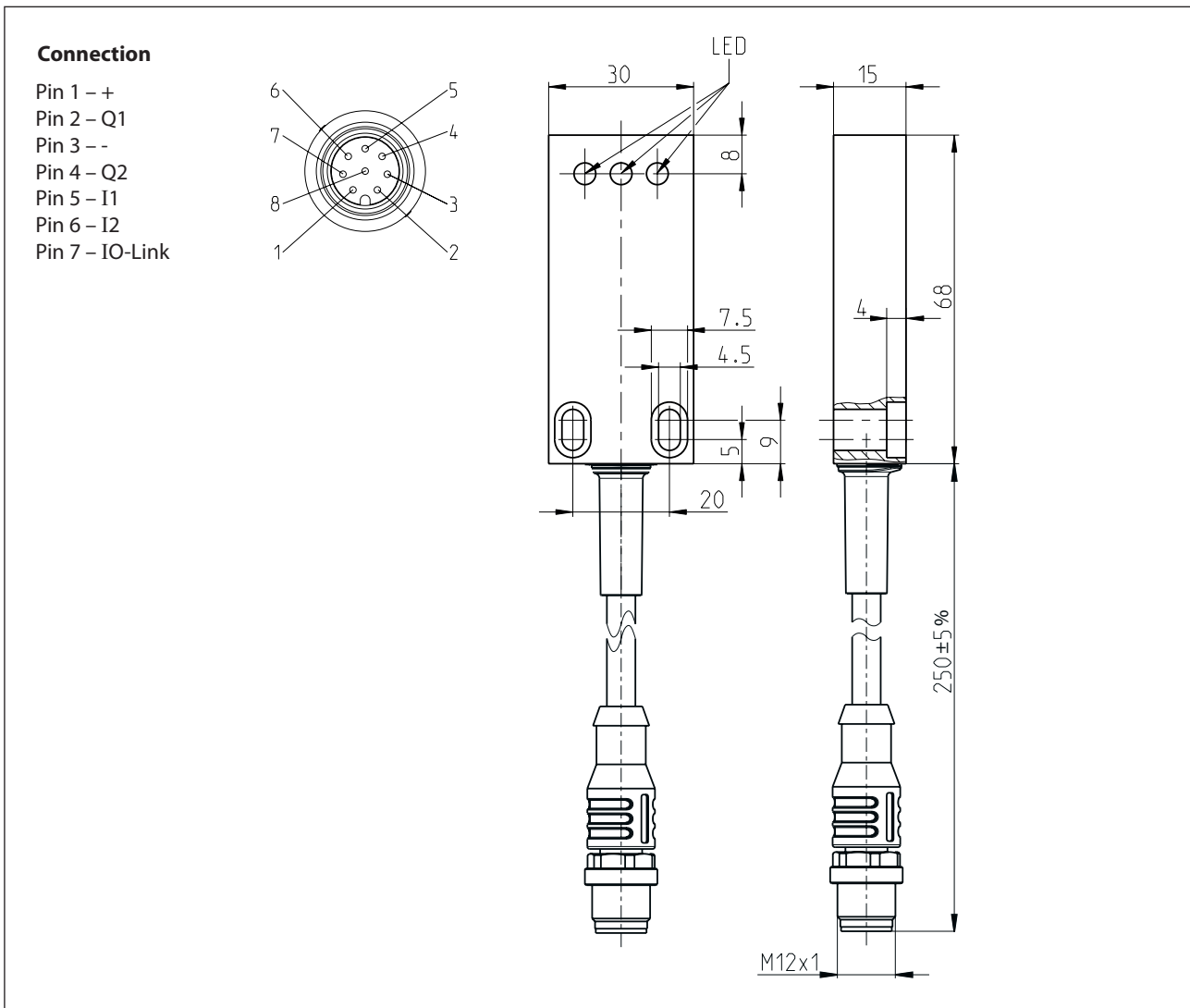


**Accessories**  
Series SRF

Description **SRF DI-F-0/2-E0,25**

Article number **6075689126**



Electrical Data		
Rated operating voltage	$U_e$	24 V DC, Reverse polarity protection, +25 %, - 20 %
Voltage level		according to Typ 3 EN 61131-2
No-load current	$I_0$	≤ 15 mA
Electromagnetic interference		according to EN 61326-1 and EN 61131-9

IO – LINK specification		
IO – LINK Spec V 1.1		compliant
Speed	COM 2	38400 baud

Mechanical Data	
Enclosure	PBT, black
Tension relief	TPE, black
Indication	1 x LED green IO-Link 1 x LED red Fault 1 x LED green Power
Ambient temperature	-25°C ... +70°C
Storage temperature	-25°C ... +70°C
Maximum relative humidity	93 % @ 40 °C without condensation
Altitude	≤ 2000 m NHN
Connection	0,25 m cable with plug connector M12 male, 8-pole
Type of protection	IP69
Protection class acc. to EN IEC 61558	III

EU Conformity	
	acc. to directive 2014/30/EU (EMC-Directive)

Notes	
	NFC-interface